



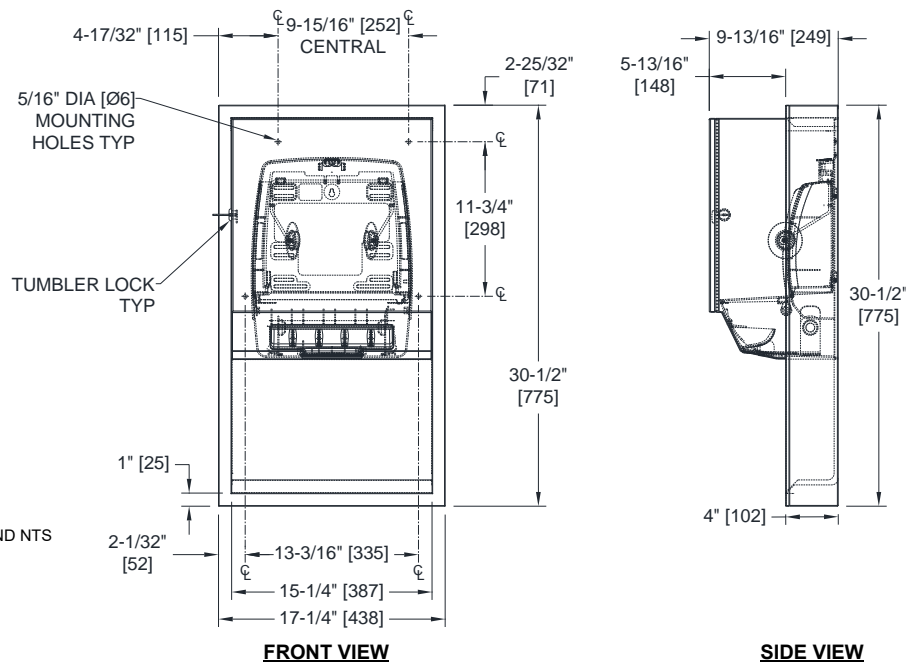
**AMERICAN SPECIALTIES, INC.**  
441 Saw Mill River Road, Yonkers, NY 10701  
(914) 476.9000 • (914) 476.0688  
www.americanspecialties.com

**MODEL №: 645224A-9**

**ISSUED: 5 FEB 2021**

**REVISED:**

## SURFACE MOUNTED AUTOMATIC ROLL PAPER TOWEL DISPENSER



### NOTE

ALL DIM'S INCH [MM]

ILLUSTRATION FOR REF ONLY AND NTS

### SPECIFICATION

Surface Mounted Automatic Roll Paper Towel Dispenser shall hold and dispense one 8" Dia. [Ø203] x 8" [203] wide standard towel roll up to 800 ft. (244m) long and one 8" [203] wide stub roll up to 4" Dia. [Ø102]. Automatic Touchless Roll Towel Dispenser shall be powered by four (4) D-size batteries (not supplied) and shall operate automatically to activate towel dispensing when hands are placed in sensor zone. Unit shall feed out a length of towel during each activation selected by owner by setting length, delay and paper saver switches. Unit shall have an internal towel cut-off bar. Cabinet and frame shall be fabricated of 22 gage (back shall be 18 gage) type 304 stainless steel alloy 18-8 and towel dispenser door shall be 18 gage same grade. All exposed surfaces shall have satin finish protected by PVC film easily removed after installation. Door shall be attached to cabinet at side with a full-length 3/16" Dia. [Ø4,8] stainless steel concealed piano hinge and shall be held closed with a tumbler lock keyed alike to other ASI washroom equipment. Face trim shall be 1" [25] wide formed from one piece with no miters, welding or open seams and have 1/4" [6,4] square return to wall. Structural assembly of all components shall be of welded construction. Cabinet shall have no exposed fastening devices or spot-welded seams.

**Surface Mounted Automatic Roll Paper Towel Dispenser shall be Model № 645224A-9 as manufactured by American Specialties, Inc., 441 Saw Mill River Road, Yonkers, NY 10701-4913**

### INSTALLATION

Provide adequate in-wall reinforcement (by others) in drywall construction to hold mounted unit in-service after wall is finished. Provide appropriate anchors (by others) to suit wall and field conditions for installation onto walls other than new drywall. Mount unit on wall using № 10 self-tapping screws (by others) through concealed mounting holes provided. For compliance with ANSI A-117.1-2003 and 2010 ADA Accessibility Standards, install unit so that top edge of towel dispenser opening is 48" [1219] Maximum Above Finished Floor (MAX AFF) only if clear floor reach access is provided. Be advised that local codes may require mounting so that top of towel dispenser opening is 40" [1016] MAX AFF (e.g. California UBC/ Title 24). For general utility install unit with top of towel dispenser opening between 49" [1245] and 56" [1422] AFF.

### OPERATION

Towels are dispensed one length at a time automatically when hands are placed in sensor zone until supply is depleted. Length of towel dispensed is predetermined by owner by making selections on three (3) three position switches for length, delay, economy. Unit may be reloaded with a full roll to automatically start when finished with an existing partial roll and will continue to feed properly when reloaded with a full roll and partial roll is transferred to stub roll position. Refill dispenser by unlocking door and replacing towel roll for an empty or partially empty unit. Dispenser supply is replenished and batteries are replaced manually on cycles determined by maintenance needs. Locking door prevents unauthorized access and roll removal.